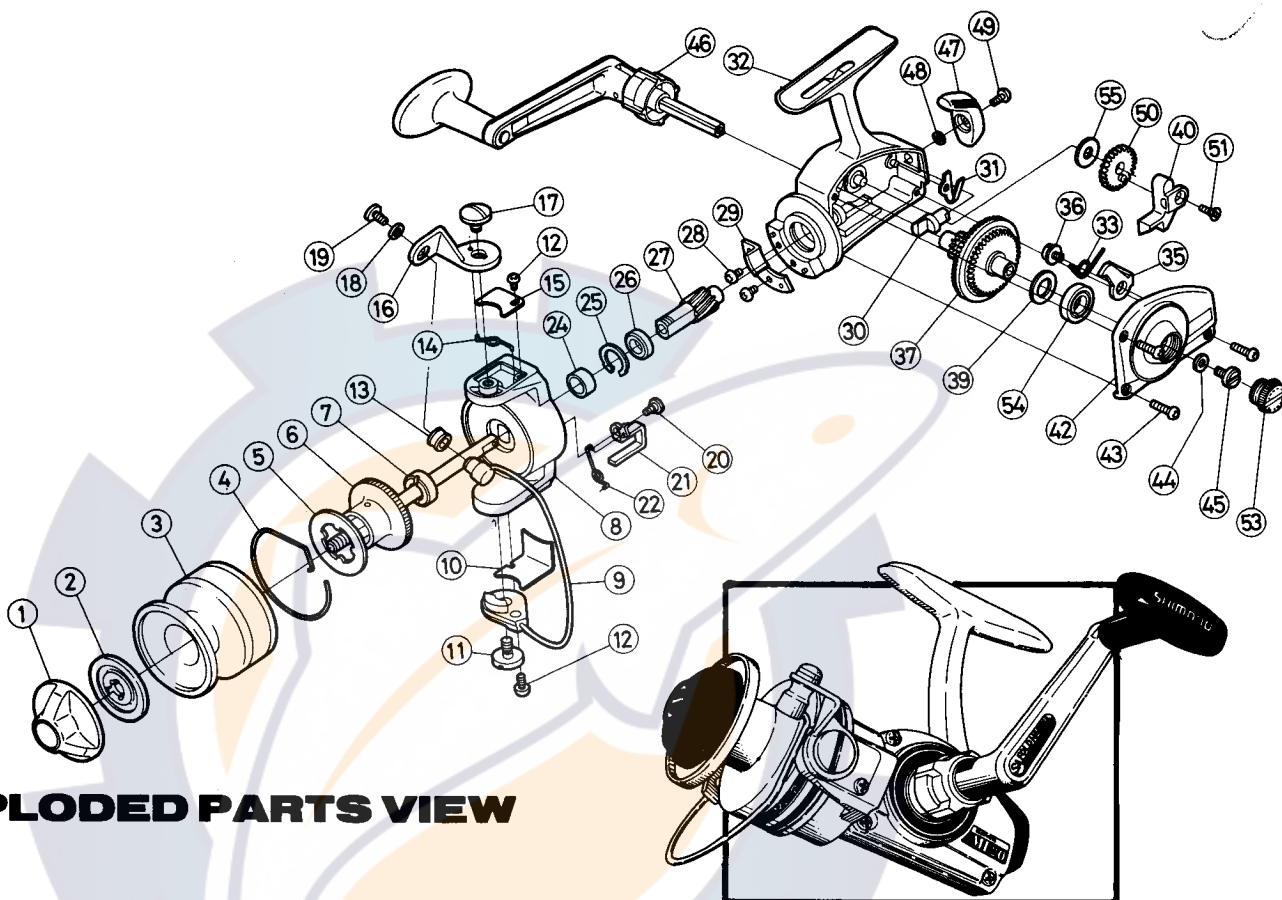


REPAIR MANUAL SHEET NO. ML-20

Shimano American Corporation, 205 Jefferson Road
Parsippany, N.J. 07054



EXPLODED PARTS VIEW

PARTS LIST

PART#	DESCRIPTION	PRICE	PART#	DESCRIPTION	PRICE	PART#	DESCRIPTION	PRICE
1	Drag Adjusting Knob	1.05	18	Bail Nut Lock Washer	.15	37	Drive Gear	1.35
2	Drag Disk	.35	19	Line Guide Screw	.40	39	Thrust Washer	.15
3	Spool	7.50	20	Trip Lever Screw	.40	40	Oscillation Block	.40
4	Click Spring	.40	21	Trip Lever	.90	42	Side Plate	2.20
5	Base Drag Washer	.20	22	Trip Lever Spring	.30	43	Side Plate Screw	.15
6	Spindle	1.30	24	Bearing Retainer	.40	44	Handle Screw Washer	.15
7	Rotor Nut	.40	25	Snap Ring	.30	45	Handle Retainer Screw	.40
8	Rotor	3.90	26	Ball Bearing (Rotor)	5.50	46	Handle Assembly	5.65
9	Bail Wire	1.65	27	Pinion Gear	1.50	47	A/R Lever	.20
10	Trip Lever Cover	.30	28	Trip Cam Screw	.15	48	Lever Lock Washer	.15
11	Bail Wire Screw	.40	29	Bail Trip Cam	.50	49	A/R Lever Screw	.25
12	Cover Screw	.15	30	Anti Reverse Shaft	.30	50	Oscillation Gear	.55
13	Roller Line Guide	.50	31	Click Spring	.25	51	Oscillation Block Screw	.15
14	Bail Spring	.20	32	Housing	6.80	53	Dust Cap	.25
15	Bail Spring Cover	.20	33	A/R Dog Spring	.25	54	Side Plate Ball Bearing	5.50
16	Bail Mount	1.00	35	A/R Dog	.60	55	Oscillation Thrust Washer	.15
17	Bail Mount Screw	.50	36	A/R Dog Screw	.20			

Prices and specifications subject to change without notice.

FEBRUARY 1982